



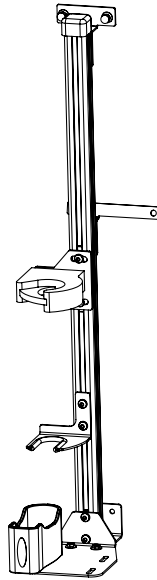
WEAPON MOUNT ORDERING GUIDE



EFFECTIVE DATE 5-8-2017

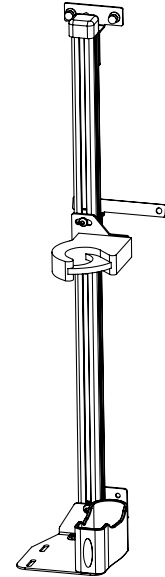


SINGLE GUN RACK - VERTICAL PARTITION MOUNTED - ORDERING OPTIONS



475-0850
GR3-AR-GL3XL

FLAT OR RECESSED HOUSING



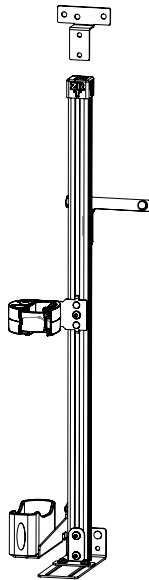
475-0851
GR3-870-GL3XL

FLAT OR RECESSED HOUSING

CUSTOMER MUST SPECIFY KEY TYPE

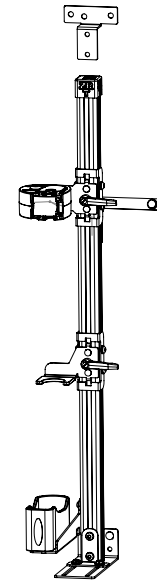
HANDCUFF (HCK)

STRAIGHT (STR)



475-2014
GR9-870

FLAT OR RECESSED HOUSING



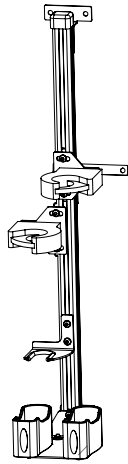
475-2015
GR9-AR-BLM

FLAT OR RECESSED HOUSING



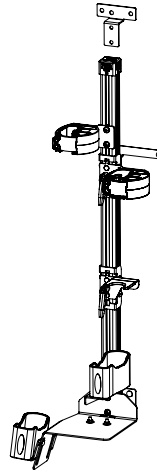
DUAL GUN RACK - VERTICAL

PARTITION MOUNTED - ORDERING OPTIONS



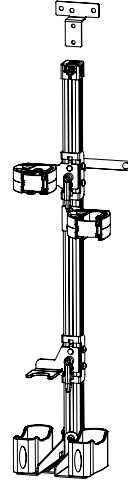
475-0849
GR3-AR-870-GL3XL

FLAT OR RECESSED HOUSING



475-2044
GR5/9-AR-BLM-870

FLAT OR RECESSED HOUSING



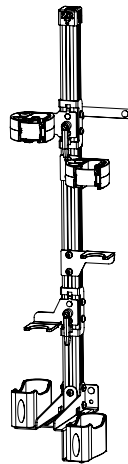
475-2010
GR9-AR-BLM-870

FLAT OR RECESSED HOUSING

CUSTOMER MUST SPECIFY KEY TYPE

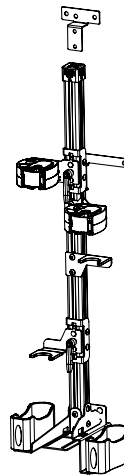
HANDCUFF (HCK)

STRAIGHT (STR)



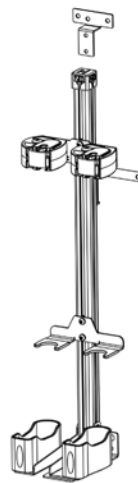
475-2042
GR9-AR-BLM 1187

FLAT OR RECESSED HOUSING



475-2043
GR9-AR-BLM-NOVA

FLAT OR RECESSED HOUSING

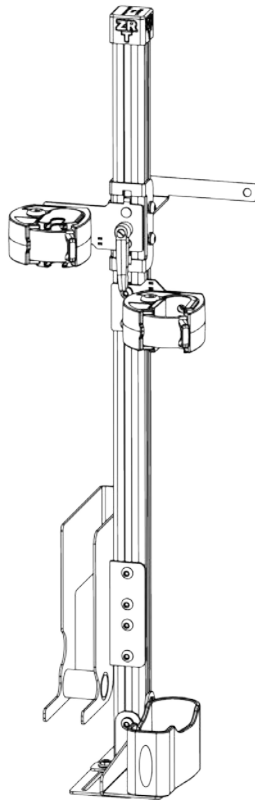


475-2054
GR9-AR-BLM

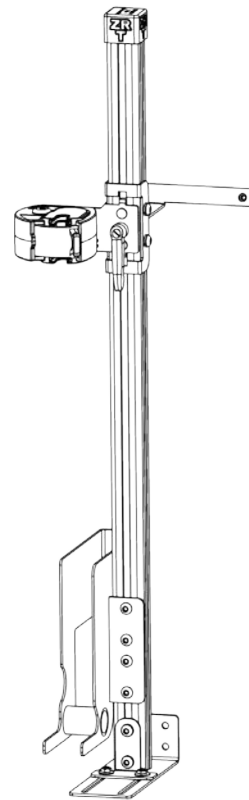
FLAT OR RECESSED HOUSING



SINGLE/DUAL GUN RACK - VERTICAL
AR SECURE
PARTITION MOUNTED - ORDERING OPTIONS



475-2052
GR9-AR-BLM-870



475-2053
GR9-AR-BLM



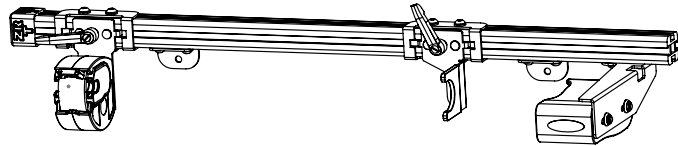
SINGLE GUN RACK - HORIZONTAL

PARTITION MOUNTED - ORDERING OPTIONS

ALL MOUNTS DESIGNED FOR AR15 AND/OR REMINGTON 870 / MOSSBERG 500.
IF OTHER TYPE OF WEAPON, MUST SPECIFY WHEN ORDERING.

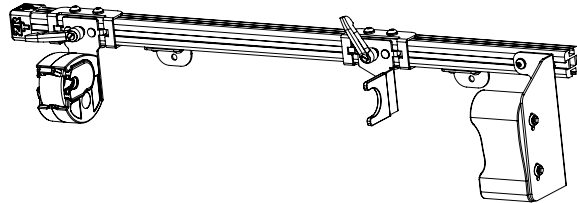


**475-2012
GR1-870**

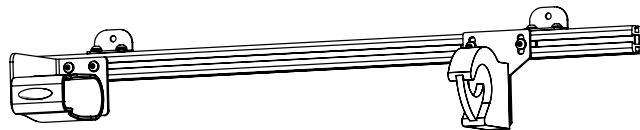


**475-2011
GR2-AR-BLM-H-GRIP OUT**

CUSTOMER MUST SPECIFY KEY TYPE
HANDCUFF (HCK)
STRAIGHT (STR)



**475-2013
GR2-AR-BLM-V-GRIP DOWN**



**475-0054
GR2-AR-GLS-XL**



SINGLE GUN RACK TRUNK/HATCH MOUNTED - ORDERING OPTIONS

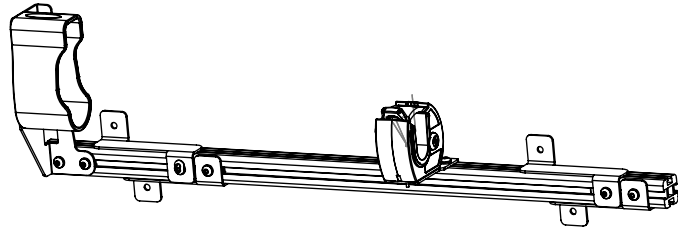
ALL MOUNTS DESIGNED FOR AR15 AND/OR REMINGTON 870 / MOSSBERG 500.
IF OTHER TYPE OF WEAPON, MUST SPECIFY WHEN ORDERING.

UNIVERSAL

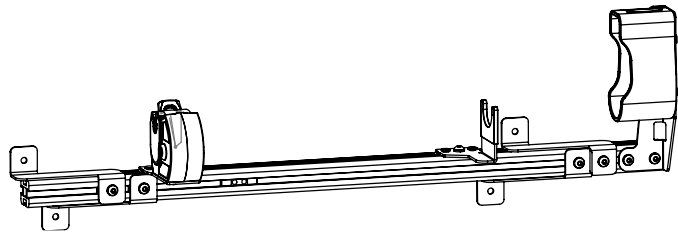
CUSTOMER MUST SPECIFY KEY TYPE

HANDCUFF (HCK)

STRAIGHT (STR)

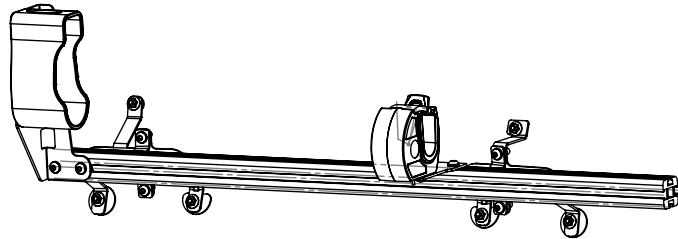


475-2027
GR4-870-UTM
(UNIVERSAL TRUNK MOUNT)

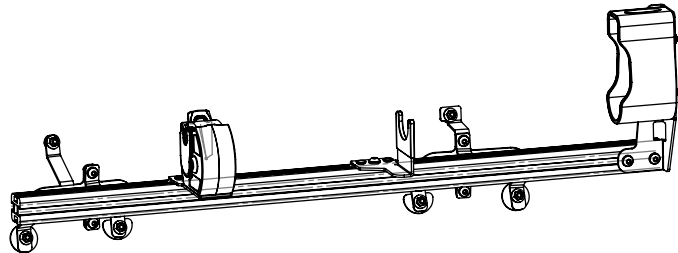


475-2028
GR4-AR-BLM-UTM
(UNIVERSAL TRUNK MOUNT)

TAHOE ('15+)




475-2034 ('15+)
GR4-870-TAHOE



475-2033 ('15+)
GR4-AR-BLM-TAHOE

877.455.6886

 JottoPublicSafety.com



CHARGER ('11+)

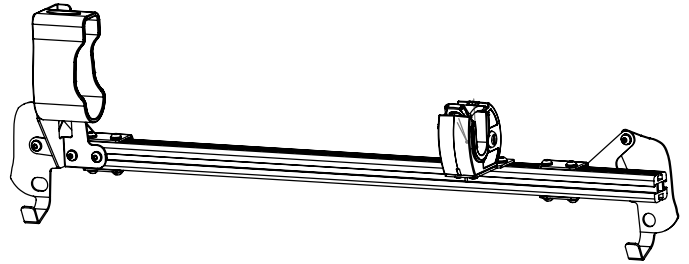


475-0964 ('11+)
GR4-DCR-GL3 XL
(FITS SHOTGUN OR AR-15)

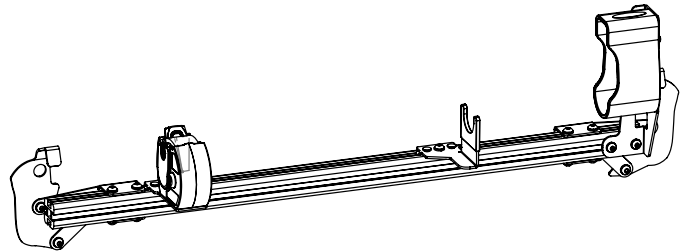
SINGLE GUN RACK TRUNK/HATCH MOUNTED - ORDERING OPTIONS

ALL MOUNTS DESIGNED FOR AR15 AND/OR REMINGTON 870 / MOSSBERG 500.
IF OTHER TYPE OF WEAPON, MUST SPECIFY WHEN ORDERING.

INTERCEPTOR SEDAN ('13+)



475-2030 ('13+)
GR4-870-PI SEDAN

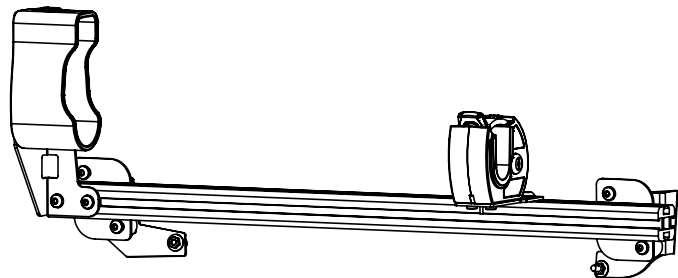


475-2029 ('13+)
GR4-AR-BLM-PI SEDAN

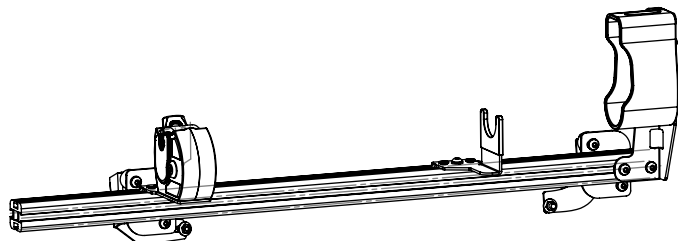
INTERCEPTOR UTILITY ('13+)

*Will Not Work With Jotto Desk
PI Utility Storage System*

CUSTOMER MUST SPECIFY KEY TYPE
HANDCUFF (HCK)
STRAIGHT (STR)



475-2032 ('13+)
GR4-870-PI UTILITY



475-2031 ('13+)
GR4-AR-BLM-PI UTILITY

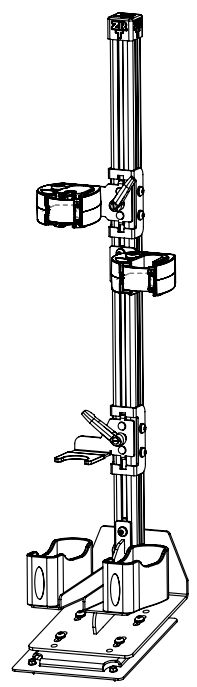


DUAL GUN RACK - VERTICAL REAR SEAT AREA MOUNTED - ORDERING OPTIONS

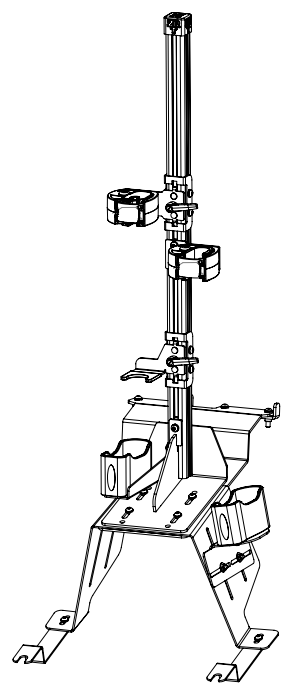
ALL MOUNTS DESIGNED FOR AR15 AND/OR REMINGTON 870 / MOSSBERG 500.
IF OTHER TYPE OF WEAPON, MUST SPECIFY WHEN ORDERING.

FOR USE IN VEHICLES WITH NO PARTITION INSTALLED

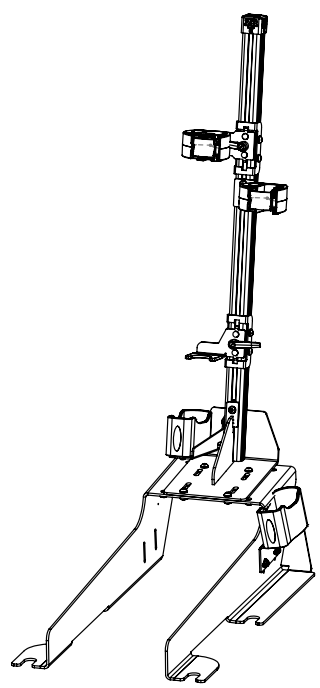
CUSTOMER MUST SPECIFY KEY TYPE
HANDCUFF (HCK)
STRAIGHT (STR)



475-2021 ('06+)
GR6-IMPALA-AR-BLM-870

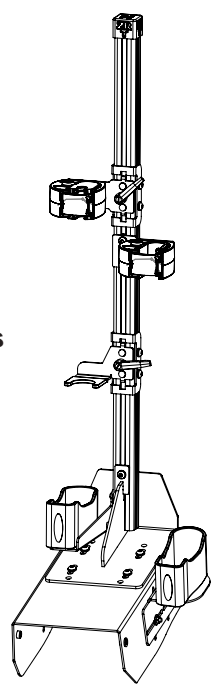


475-2020 ('14+)
475-2019 ('11-'13)
GR6-CAPRICE-AR-BLM-870



475-2016 ('11+)
GR6-DCR-AR-BLM-870

Installation Requires
OEM Console
Mounting Plate



475-2017 ('13+)
GR6-PI SEDAN-AR-BLM-870



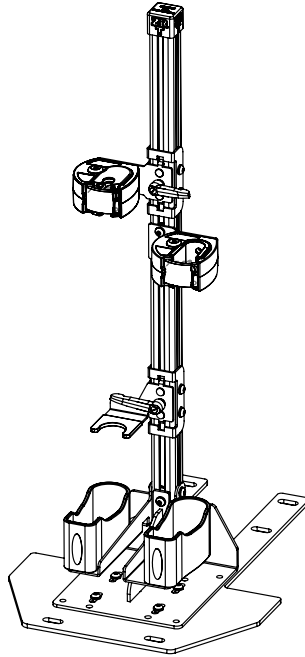
DUAL GUN RACK - VERTICAL

REAR SEAT AREA MOUNTED - ORDERING OPTIONS

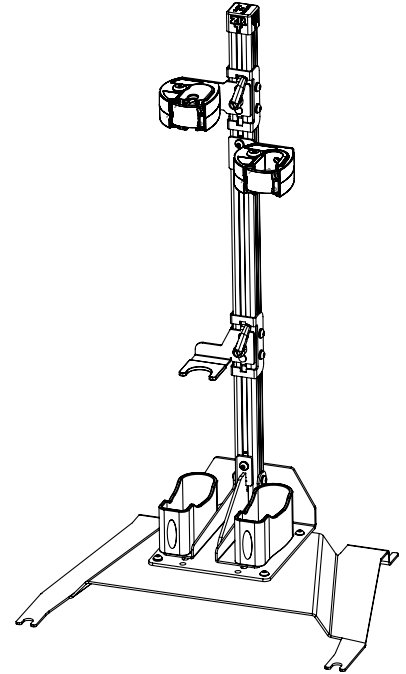
ALL MOUNTS DESIGNED FOR AR15 AND/OR REMINGTON 870 / MOSSBERG 500.
IF OTHER TYPE OF WEAPON, MUST SPECIFY WHEN ORDERING.

FOR USE IN VEHICLES WITH NO PARTITION INSTALLED

CUSTOMER MUST SPECIFY KEY TYPE
HANDCUFF (HCK)
STRAIGHT (STR)

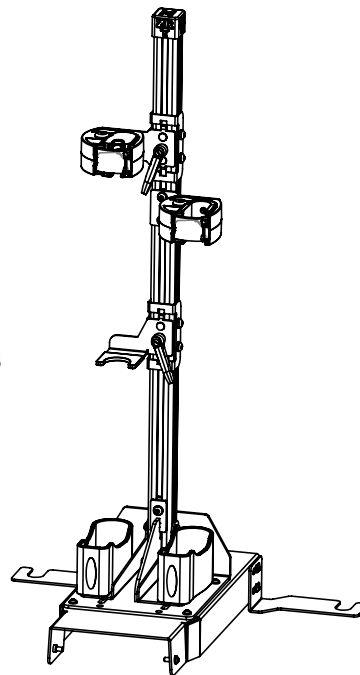


475-2024
GR6-SUV-AR-BLM-870



475-2023 ('15+)
475-2022 ('08-'14)
GR6-TAHOE-AR-BLM-870

Installation Requires
OEM Console
Mounting Plate



475-2018 ('13+)
GR6-PI UTILITY-AR-BLM-870

877.455.6886

JottoPublicSafety.com

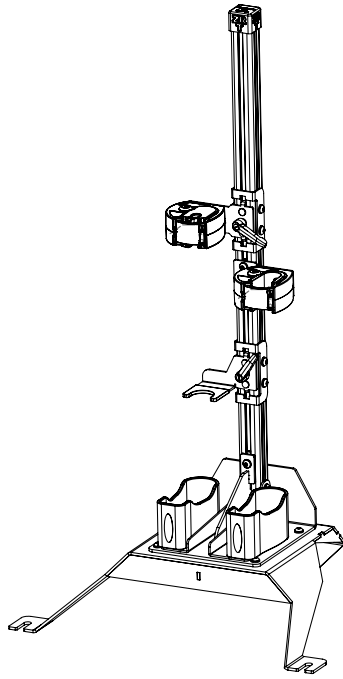


DUAL GUN RACK - VERTICAL

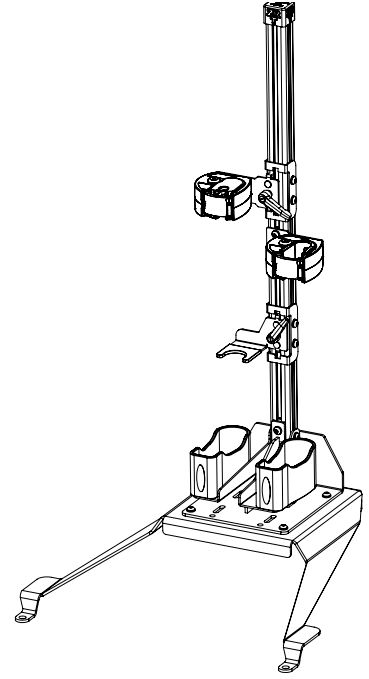
REAR SEAT AREA MOUNTED - ORDERING OPTIONS

ALL MOUNTS DESIGNED FOR AR15 AND/OR REMINGTON 870 / MOSSBERG 500.
IF OTHER TYPE OF WEAPON, MUST SPECIFY WHEN ORDERING.

FOR USE IN VEHICLES WITH NO PARTITION INSTALLED



475-2025 ('16+)
GR6-SILVERADO-AR-BLM-870

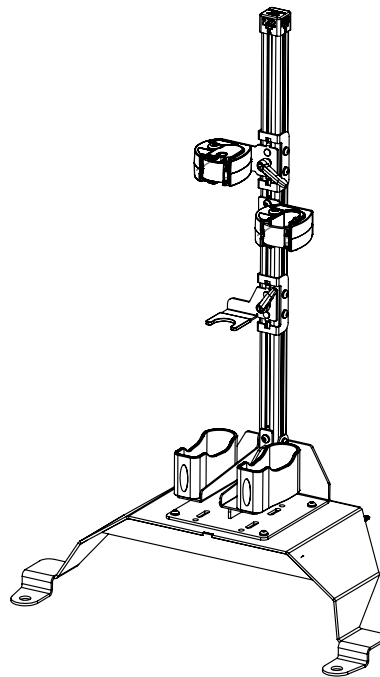


475-2026 ('15+)
GR6-F150-AR-BLM-870

CUSTOMER MUST SPECIFY KEY TYPE

HANDCUFF (HCK)

STRAIGHT (STR)



475-2045 ('14+)
GR6-RAM-AR-BLM-870

877.455.6886

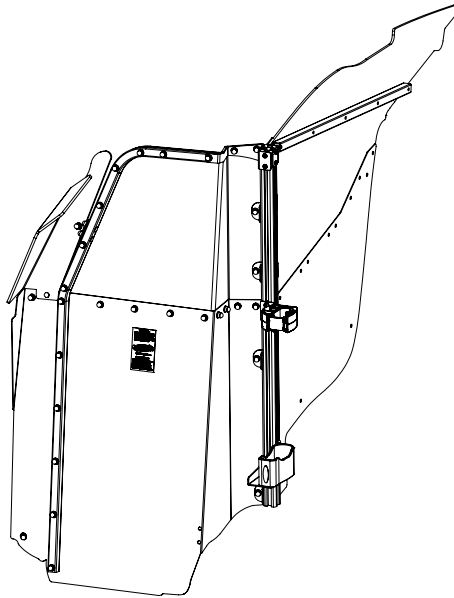
JottoPublicSafety.com



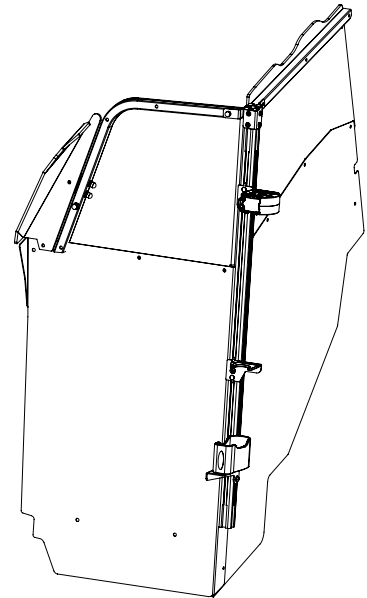
CAR SINGLE CELL GUN RACK

ORDERING OPTIONS

ALL MOUNTS DESIGNED FOR AR15 AND/OR REMINGTON 870 / MOSSBERG 500.
IF OTHER TYPE OF WEAPON, MUST SPECIFY WHEN ORDERING.



475-2036
GR7-ZRT-870
DCR & PI SEDAN

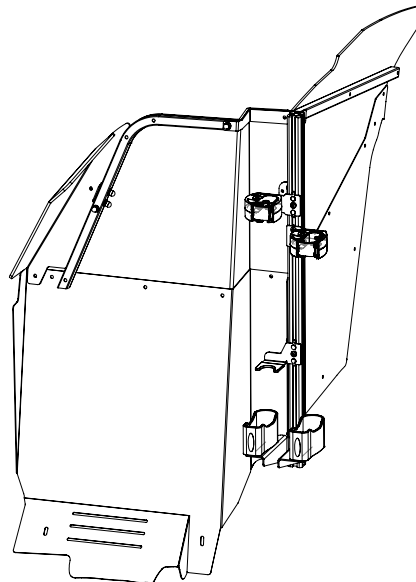


475-2048
GR7-ZRT-AR-BLM
DCR & PI SEDAN

CUSTOMER MUST SPECIFY KEY TYPE

HANDCUFF (HCK)

STRAIGHT (STR)



475-2047
GR7-ZRT-AR-BLM-870
DCR & PI SEDAN

877.455.6886

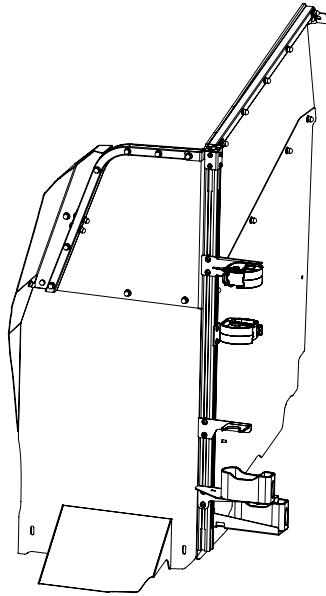
 JottoPublicSafety.com



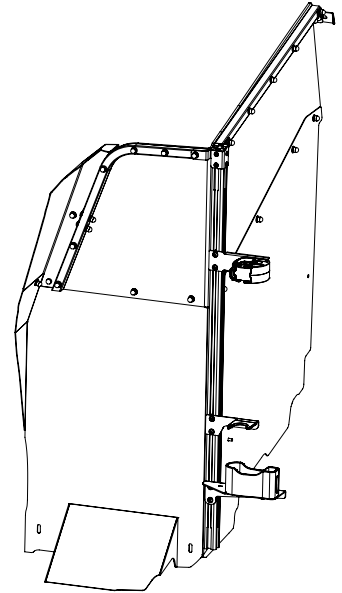
SUV SINGLE CELL GUN RACK

ORDERING OPTIONS

ALL MOUNTS DESIGNED FOR AR15 AND/OR REMINGTON 870 / MOSSBERG 500.
IF OTHER TYPE OF WEAPON, MUST SPECIFY WHEN ORDERING.



475-2049
GR7-ZRT-TAHOE-AR-BLM-870

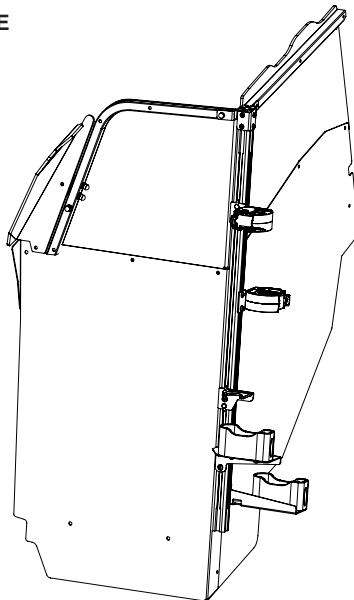


475-2050
GR7-ZRT-TAHOE-AR-BLM

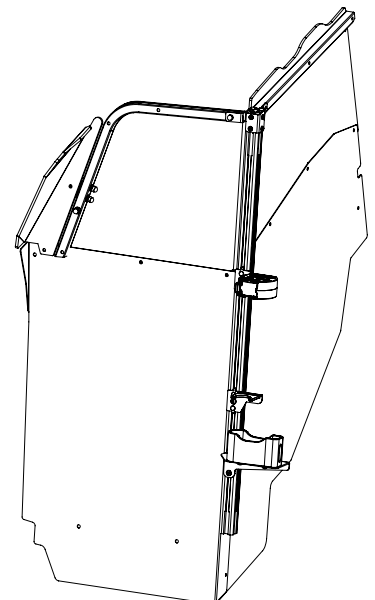
CUSTOMER MUST SPECIFY KEY TYPE

HANDCUFF (HCK)

STRAIGHT (STR)




475-2038
GR7-ZRT-PI UTILITY-AR-BLM-870



475-2046
GR7-ZRT-PI UTILITY-AR-BLM

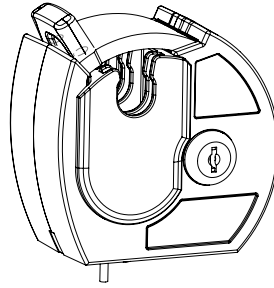
877.455.6886

 JottoPublicSafety.com

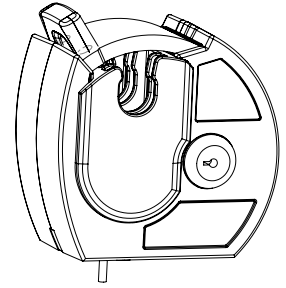


GUN RACK ACCESSORY

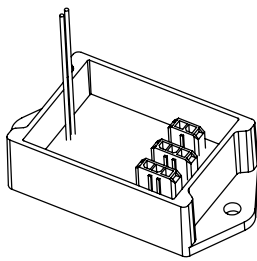
ORDERING OPTIONS



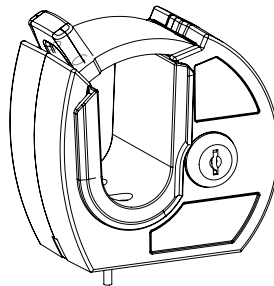
**ZRT LOCK WITH AR
INSERT (STR)**
475-1222



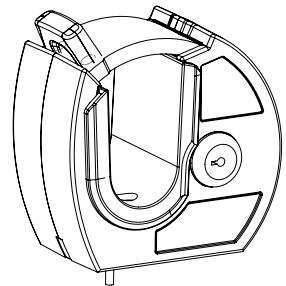
**ZRT LOCK WITH AR
INSERT (HCK)**
475-1221



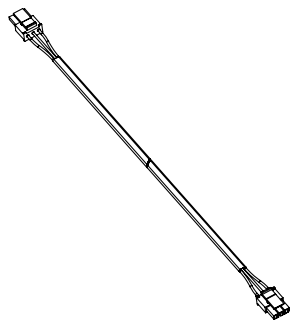
**475-0418
TIMER**



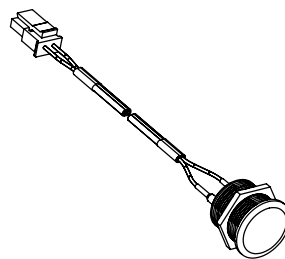
**ZRT LOCK WITH SHOT-
GUN INSERT (STR)**
475-9262



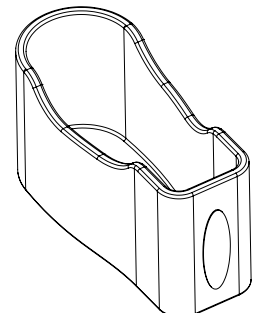
**ZRT LOCK WITH SHOT-
GUN INSERT (HCK)**
475-9263



**475-8061
LOCK HEAD CABLE (8')**



**475-8062
MOMENTARY SWITCH
& CABLE (3')**



**475-0468
POLY BUTT PLATE**

