



SPECIAL SERVICE VEHICLE

ORDERING GUIDE

JOTTOPUBLICSAFETY.COM

CONTOUR CONSOLES

Jotto Desk revolutionized equipment console design in 2001 with the introduction of the first Contour Console. Our teams evaluate each vehicle to design consoles that maximize available space and officer comfort while minimizing installation time. Utilizing OEM mounting points and vehicle CAD, Jotto Desk Contour Consoles fit just like an original part of the vehicle.

CONTOUR CONSOLE WITH LOCKING LID STORAGE FORD F-150 SSV (2021+)

The Contour Console with Locking Lid Storage, F-150 SSV (2018+) mounts up to 20" of equipment and includes a built-in locking lid for secure, extra storage. The OEM USB plugin will relocate if needed (may not work with all trim levels). Each console comes standard with 20" of faceplates, (1) Magnetic Mic, 28" Ford F-150 SSV/PR/F-250-550 Floor Plate.



425-6524

Length 29.125" Height..... 10.125"
 Width..... 12.5" Weight 21.25 lbs
 Rated Capacity 20" of face plates



425-6500 ... Contour Console with Locking Lid Storage Ford F-150 SSV (2018 - 2020)



12" CONTOUR CONSOLE DODGE DURANGO SSV (2019-2020)

The Contour Console, Dodge Durango SSV (2019+) has a dash contouring shape and mounts up to 12" of equipment (7" top / 5" bottom). Each console comes standard with Console, Front/Rear Mounting Brackets, 12" of Face Plates, Cup Holder, and 3" Coin Tray/Traction Control Switch Plate.



425-6655

Length 29.125" Height..... 10.125"
 Width..... 12.5" Weight 21.25 lbs
 Rated Capacity 12" of face plates



VERTICAL CONTOUR CONSOLE

VERTICAL CONTOUR CONSOLE F-150 SSV (2018-2020)

The 2018+ Ford F-150 SSV/PR and F-250-550 Vertical Dash Mount Contour Console will mount up to 9" of equipment. No drilling or cutting required.

Depth10.56" Height.....14.03"
 Width.....18.69" Weight 7.7 lbs
 Rated Capacity9" of face plates



425-6648

VERTICAL CONTOUR CONSOLE SILVERADO SSV (2019+)

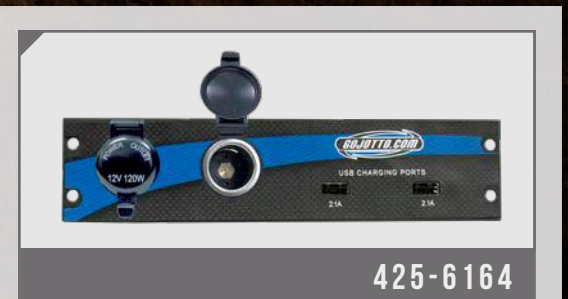
Depth10.56" Height.....14.03"
 Width.....18.69" Weight 7.7 lbs
 Rated Capacity8" of face plates



425-6662



CONSOLE ACCESORIES



425-6164

- 12V/USB Outlets
- Faceplates
- Printer Mounts
- Armrests
- Floor Plates
- Storage
- Cup Holders
- UVV Littlite
- Magenetic Mic Clips

DGS STANDARD CONSOLE (DUTY GEAR SAVER)

The DGS Standard Console (Duty Gear Saver) will fit all necessary communication and lighting equipment with extra room for your duty weapon. Installation is quick and easy. No drilling required.



425-6702

Length	28.51"
Width	13.15"
Height	10.15"
Depth	10.22 - 6.69"
Weight	19.35 lbs
Rated Capacity	20" of face plates



WIDE BODY CONSOLE



425-6445

The Wide Body Standard Console mounts 20" of equipment plus a built in lock box and Magnetic Mic. Top-down installation using one of our floor plates requires no drilling.

Length	28.25"
Width	3.139"
Height	10.25"
Depth	6.436 - 10"
Weight	24.15 lbs
Rated Capacity	20" of face plates

IPB WIDE BODY CONSOLE (PENTAX/BROTHER CONSOLE)

The Integrated Pentax/Brother Wide Body Console features a custom printer mount, 14" rated capacity and lock box. Top-down installation using one of our floor plates requires no drilling.



425-6554

Length	23.69"	Depth	6.52 - 9.02"
Width.....	13.15"	Weight	23 lbs
Height.....	10.15"	Rated Capacity....	14" of face plates



WIDE BODY AR SECURE CONSOLE

The AR Secure model conceals a ZRT Gun Rack, comes with 20" of faceplates and Magnetic Mic. Top-down installation using one of our floor plates requires no drilling.



425-6491

Length	28.3"
Width.....	15.179"
Height.....	10.154"
Depth	6.671 - 13.133"
Weight	36.55 lbs
Rated Capacity	20" of face plates



STANDARD CONSOLES

9" STANDARD CONSOLE

Length 8 - 6.625"
 Width..... 8.75"
 Height..... 9.924 - 6.314"
 Weight 8.55 lbs

Rated Capacity:
 9" of face plates



425-6010

12" STANDARD CONSOLE

Length 15.5"
 Width..... 8.75"
 Height..... 10.25 - 4.25"
 Weight 10.6 lbs

Rated Capacity:
 12" of face plates



425-6011

15" STANDARD CONSOLE



Length 18"
 Width..... 8.75"
 Height..... 10.5 - 6.8"
 Weight 12.8 lbs

Rated Capacity:
 15" of face plates



425-6012



18" LAZY "L" CONSOLE

Length 21"
 Width..... 8.75"
 Height..... 11.25" - 7.375"
 Weight 12.3 lbs

Rated Capacity:
 18" of face plates

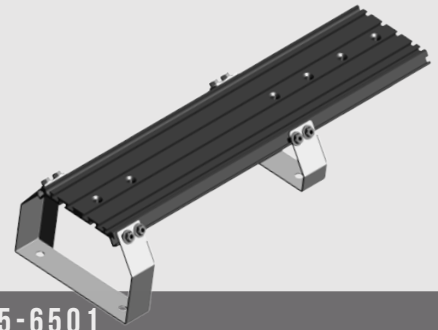


425-6232

SSV FLOOR PLATE KITS

Secure Consoles and Console Accessories to your Special Service Vehicle with a "No Holes Drilled" Floor Plate Kit.

FLOOR PLATE KIT F-150 (2018+)



425-6501

FLOOR PLATE KIT SILVERADO (2019+)



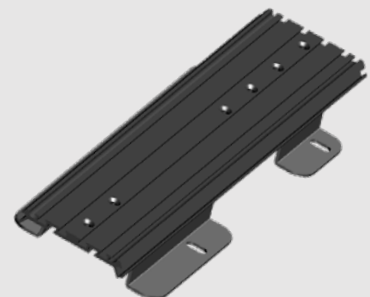
425-6659

FLOOR PLATE KIT RAM (2009+)



425-6629

UNIVERSAL FLOOR PLATE KIT



425-6203



JOTTO DESK® NO HOLES MOUNT

Field-proven over 20 years, the Jotto Desk® offers mobile professionals the best laptop mount for cars, trucks, vans, SUVs and Big Rigs.

F-150 SSV

- **Articulated Arm**
1" square x 13.375" solid aluminum; black anodized
- **Telescoping Rod**
7/8" x 8" steel with 5/8" turned swing arm rest
- **Stand**
1" x 10" 11 gauge steel, black; round stock
- **Height Variation**
21" - 25"
- **Base Mount**
3/16" gauge master, one-piece base with tapped 7/8" mounting post



425-5046/4143 - F-150 SSV (2015+)

SILVERADO SSV

- **Articulated Arm**
1" square x 13.375" solid aluminum; black anodized
- **Telescoping Rod**
7/8" x 12" steel with 5/8" turned swing arm rest
- **Stand**
1" x 10" 11 gauge steel, black; round stock
- **Height Variation**
19.43" - 24.43"
- **Base Mount**
3/16" gauge master, one-piece base with tapped 7/8" mounting post



425-5691/4143 - SILVERADO SSV (2019+)

RAM SSV

- **Articulated Arm**
1" square x 13.375" solid aluminum; black anodized
- **Telescoping Rod**
7/8" x 12" steel with 5/8" turned swing arm rest
- **Stand**
1" x 10" 11 gauge steel, black; round stock
- **Height Variation**
19" - 24"
- **Base Mount**
3/16" gauge master, one-piece base with tapped 7/8" mounting post



425-5575/4143 - RAM SSV (2009+)



DURANGO SSV

- **Articulated Arm**
1" square x 13.375" solid aluminum; black anodized
- **Telescoping Rod**
7/8" x 8" steel with 5/8" turned swing arm rest
- **Stand**
1" x 10" 11 gauge steel, black; round stock
- **Height Variation**
18.75" - 23"
- **Base Mount**
3/16" gauge master, one-piece base with tapped 7/8" mounting post



425-5600/4143 - DURANGO SSV (2011+)

HEAVY DUTY NO HOLES MOUNT



F-150 SSV

- **Heavy Duty Motion Arm**
4.25" w x 0.75" thick x 9" long;
black anodized
- **Upgraded Telescoping Rod**
1.75" x 6" steel with swing arm
- **Upgraded Stand**
2" x 15" .218 thickness, black;
round stock
- **Height Variation**
15.875" to 19.875"
- **Upgraded Base Mount**
7 gauge steel, one-piece base



425-5104/4138 - F-150 SSV (2015+)

SILVERADO SSV

- **Heavy Duty Motion Arm**
4.25" w x 0.75" thick x 9" long;
black anodized
- **Upgraded Telescoping Rod**
1.75" x 6" steel with swing arm
- **Upgraded Stand**
2" x 13" .218 thickness, black;
round stock
- **Height Variation**
16.58" to 20.58"
- **Upgraded Base Mount**
7 gauge steel, one-piece base



425-5693/4138 - SILVERADO SSV (2019+)

RAM SSV

- **Heavy Duty Motion Arm**
4.25" w x 0.75" thick x 9" long;
black anodized
- **Upgraded Telescoping Rod**
1.75" x 6" steel with swing arm
- **Upgraded Stand**
2" x 15" .218 thickness, black;
round stock
- **Height Variation**
15.875" to 19.875"
- **Upgraded Base Mount**
7 gauge steel, one-piece base



425-5107/4138 - RAM SSV (2015+)



MAMBA MOUNT CONSOLE SIDE MOUNT

Jotto Desk is upgrading and simplifying your on-duty experience with the Mamba Mount, a console side mount designed to work in each zone; **Store & Drive, Park & Work, and Tactically Safe.**



425-0150/4138

BUILT TO FIT:
WIDE BODY CONSOLE
425-6445



IPB WIDE BODY CONSOLE
425-6554



DGS WIDE BODY CONSOLE
425-6554

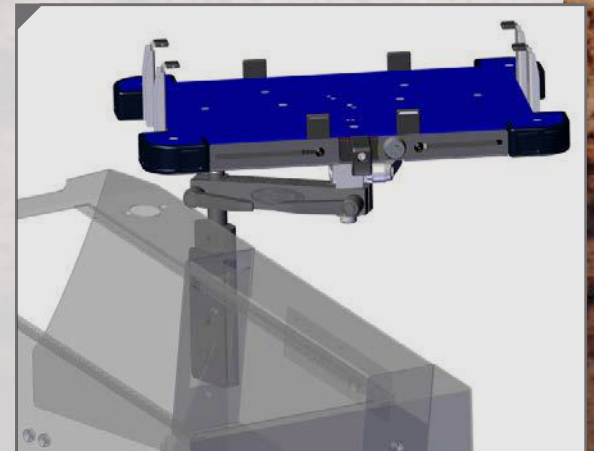


CONTOUR CONSOLE
WITH LOCKING LID STORAGE
FORD F-150 SSV (2021+)
425-6524



CONSOLE SIDE MOUNTS

The JOTTO DESK® Console Side Mount (CSM) features No Holes Drilled installation on the passenger side of a compatible equipment console, preserving front passenger side leg room and improving performance. The CSM offers a straight arm which enables you to comfortably use and secure a laptop using the A-MOD or other desktop.



425-5542/4143

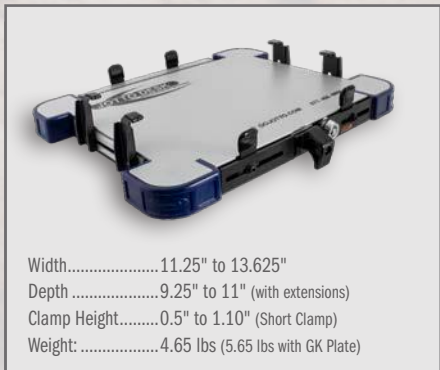


Width.....11.25" to 13.625"
 Depth9.25" to 11" (with extensions)
 Clamp Height.....1" to 2.25" (Tall Clamp)
 Weight:4.65 lbs. (5.65 lbs with GK Plate)

450-4143 - A-MOD W/TALL CLAMPS

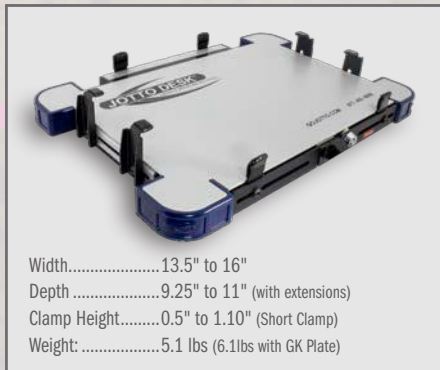
A-MOD: ADJUSTABLE-MOBILE OPERATIONS DESKTOP

The A-MOD is engineered to be lightweight, yet rugged. Manufactured from steel, high strength aluminum, and composite materials where it makes sense. It's not real security if a laptop can be simply be stolen by jimmying the lock or bending the clamps. The A-MOD features a high-security solid brass tubular lock and case-hardened steel clamps.



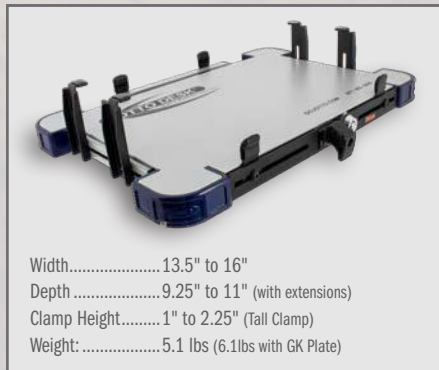
Width.....11.25" to 13.625"
 Depth9.25" to 11" (with extensions)
 Clamp Height.....0.5" to 1.10" (Short Clamp)
 Weight:4.65 lbs (5.65 lbs with GK Plate)

450-4147 - A-MOD W/SHORT CLAMPS



Width.....13.5" to 16"
 Depth9.25" to 11" (with extensions)
 Clamp Height.....0.5" to 1.10" (Short Clamp)
 Weight:5.1 lbs (6.1lbs with GK Plate)

450-4144 - A-MOD XL W/TALL CLAMPS



Width.....13.5" to 16"
 Depth9.25" to 11" (with extensions)
 Clamp Height.....1" to 2.25" (Tall Clamp)
 Weight:5.1 lbs (6.1lbs with GK Plate)

450-4153 - A-MOD XL W/SHORT CLAMPS

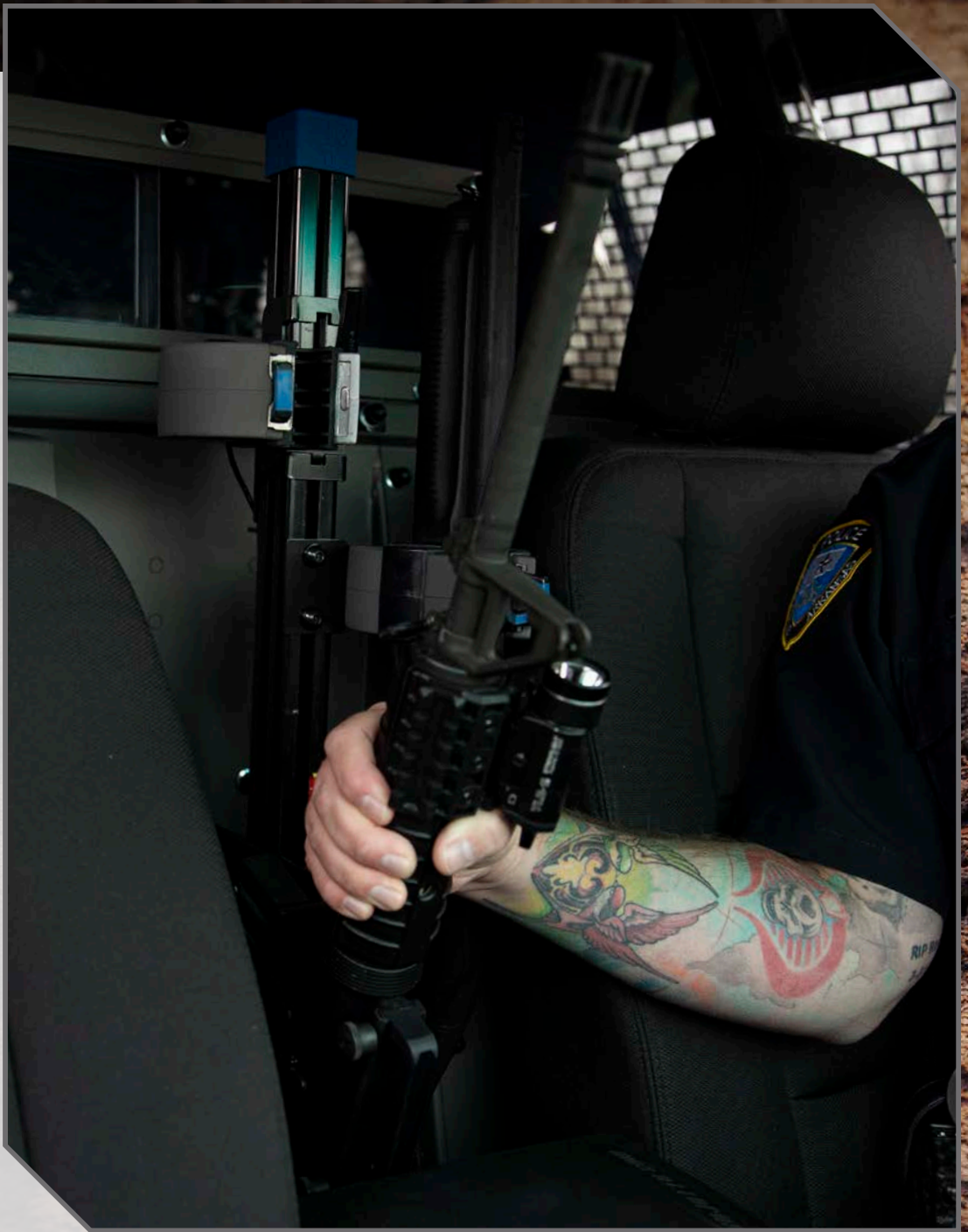
ZRT GUNS RACK

The ZRT Gun Racks are designed for any configuration you can imagine. Partition Mounted, Single Cell Mounted, Rear Seat Mounted or Free Standing, and Rear Hatch Mounted - Single Weapon or Dual.

PARTITION MOUNT



475-2010



Model #	Description	Location	Weapon	Style	SSV
475-2010	GR9-ZRT-AR BLM/870	Partition	Dual	Vertical	F-150, Silverado, Ram, Durango
475-2063	GR9-ZRT-AR-GL3-XL/870	Partition	Dual	Vertical	F-150, Silverado, Ram, Durango
475-2015	GR9-ZRT-AR-BLM-V	Partition	Single (AR)	Vertical	F-150, Silverado, Ram, Durango
475-2014	GR9-ZRT-870-V	Partition	Single (870)	Vertical	F-150, Silverado, Ram, Durango
475-2054	GR9-ZRT-AR-BLM	Partition	Dual (AR)	Vertical	F-150, Silverado, Ram, Durango
475-2052	GR9-ZRT-AR Secure-BLM/870	Partition	Ducal	Vertical	F-150, Silverado, Ram, Durango
475-2053	GR9-ZRT-AR Secure-BLM	Partition	Single (AR)	Vertical	F-150, Silverado, Ram, Durango

U.S. PATENT NO. 8,910,560 AND U.S. PATENT NO. 10,563,943

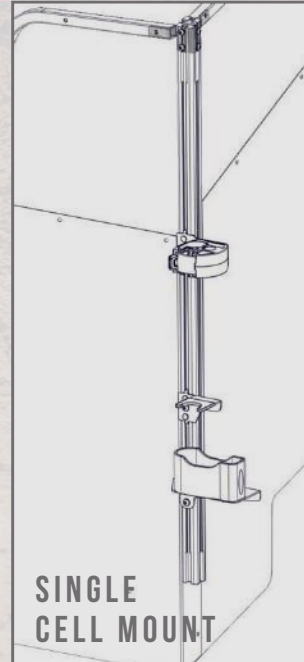


REAR SEAT MOUNT



475-2026 - F-150 SSV (2015+)

- Eliminates 12V hot-wiring
- Cannot be defeated by magnets
- Zinc lock head design deforms instead of breaking
- Silicone inserts in lock head
- Protect weapon from damage
- Quickly adjust AR side along the strong extruded backbone to accommodate various stocks
- Single or dual weapon
- Plug and play lock head/timer wiring
- Compact size - 1/3 smaller than other lock heads
- Innovative slide latch recesses inside housing when accessing firearm



SINGLE CELL MOUNT

475-2046

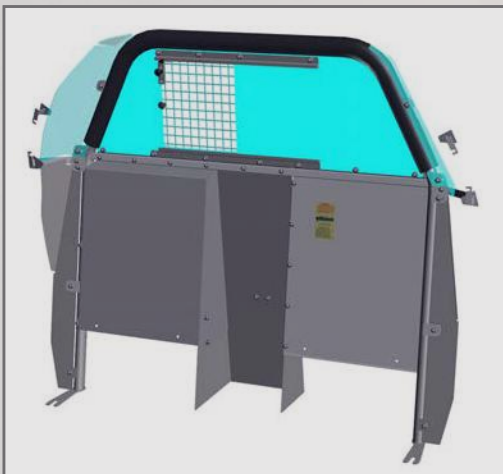


Model #	Description	Location	Weapon	Style	SSV
475-9473	GR6-ZRT-F150-2021+-AR-BLM-870	Rear Seat Mount	Dual	Vertical	F-150 SSV (2021+)
475-2026	GR6-ZRT-F150-15-20-AR BLM/870	Rear Seat Mount	Dual	Vertical	F-150 SSV (2015-2020)
475-2055	GR6-ZRT-SILVERADO-SSV-19+-AR BLM/870	Rear Seat Mount	Dual	Vertical	Silverado SSV (2019+)
475-2045	GR6-ZRT-RAM-SSV-14-19-AR BLM/870	Rear Seat Mount	Dual	Vertical	Ram SSV (2014-2019)
475-2056	GR6-ZRT-DURANGO PPV-19+-AR BLM/870	Rear Seat Mount	Dual	Vertical	Durango (2019+)
475-2038	GR7-ZRT-SUV-PICKUP-AR BLM/870	Single Cell Mount	Dual	Vertical	F150, Silverado, Ram
475-2046	GR7-ZRT-SUV-PICKUP-AR BLM	Single Cell Mount	Single	Vertical	F150, Silverado, Ram

SPACE CREATOR BIDIRECTIONAL VEHICLE PARTITION

Keep officers and prisoners safe during transport using Jotto Desk Space Creator Vehicle Partitions. The Bidirectional Recessed Housing maximizes officer workspace and prisoner legroom, building an extra layer of protection for your officer. Jotto Desk Vehicle Partitions are engineered to save time and money, utilizing the OEM mounting points instead of drilling new holes. Jotto Desk originated the Space Creator Vehicle Partition (US Patent No. 8,690,216) to transform unusable space behind the front passenger seat into extra legroom, enough to accommodate your bulkiest prisoner.

SPACE CREATOR VEHICLE PARTITION F-150 SSV (2021+)

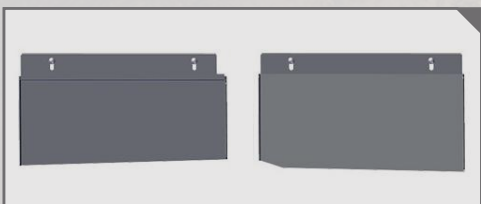


475-1811 - F-150 SSV (2021+)

HSEP

(HIGH SECURITY EXTENSION PANEL)

Enhance partition security by preventing rear passengers from reaching into the front of the vehicle under seats with a two-piece, steel High Security Extension Panel.



475-1107 - F-150 SSV (2015+)



475-1810

HIGH SECURITY/HIGH VISIBILITY WINDOW

A High Security/High Visibility (HS/HV) Window gives officers the best of both worlds - tremendous sight lines, whether looking out the rearview or turning around. The 4"H x 11"W window allows for communication or passing of information but there won't be anyone that will squeeze through this opening. If a prisoner spits/bleeds/smears the window - it is still easily cleanable...not so with "expanded metal".



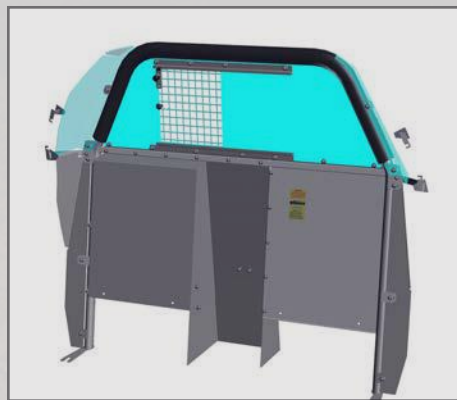
**SPACE CREATOR
VEHICLE PARTITION
F-150 SSV (2021+)**



475-1107

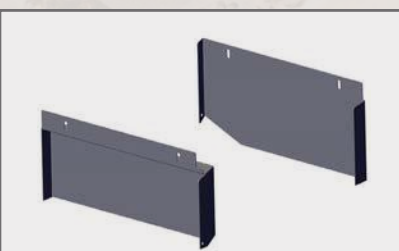


475-1810



475-1811

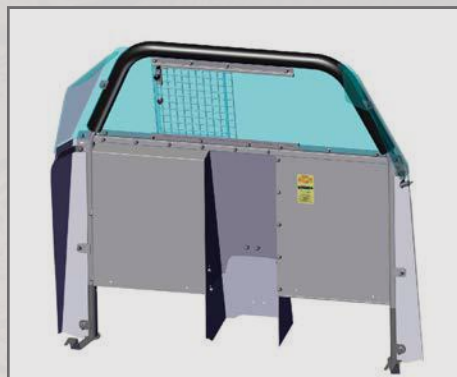
**SPACE CREATOR
VEHICLE PARTITION
SILVERADO SSV (2019+)**



475-1371



475-1355



475-1376

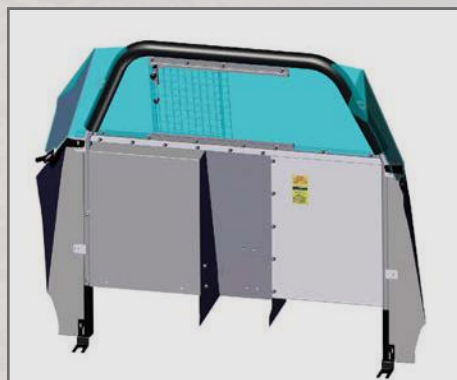
**SPACE CREATOR
VEHICLE PARTITION
RAM SSV (2015+)**



475-0957

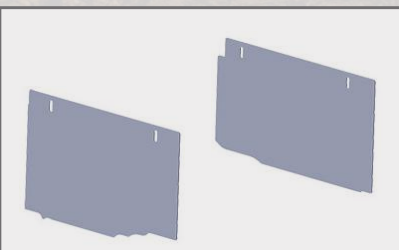


475-0936

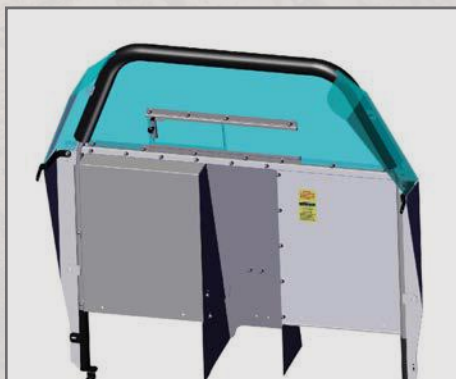


475-0937

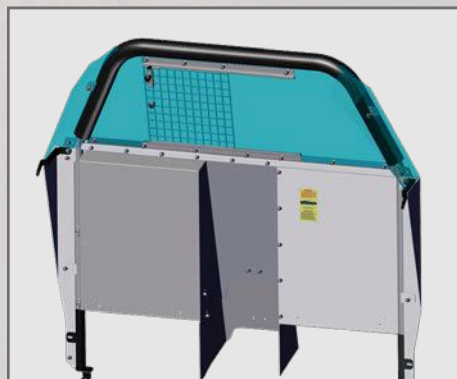
**SPACE CREATOR
VEHICLE PARTITION
DURANGO SSV (2014+)**



475-8848



475-0965



475-0966

SINGLE CELL LITE

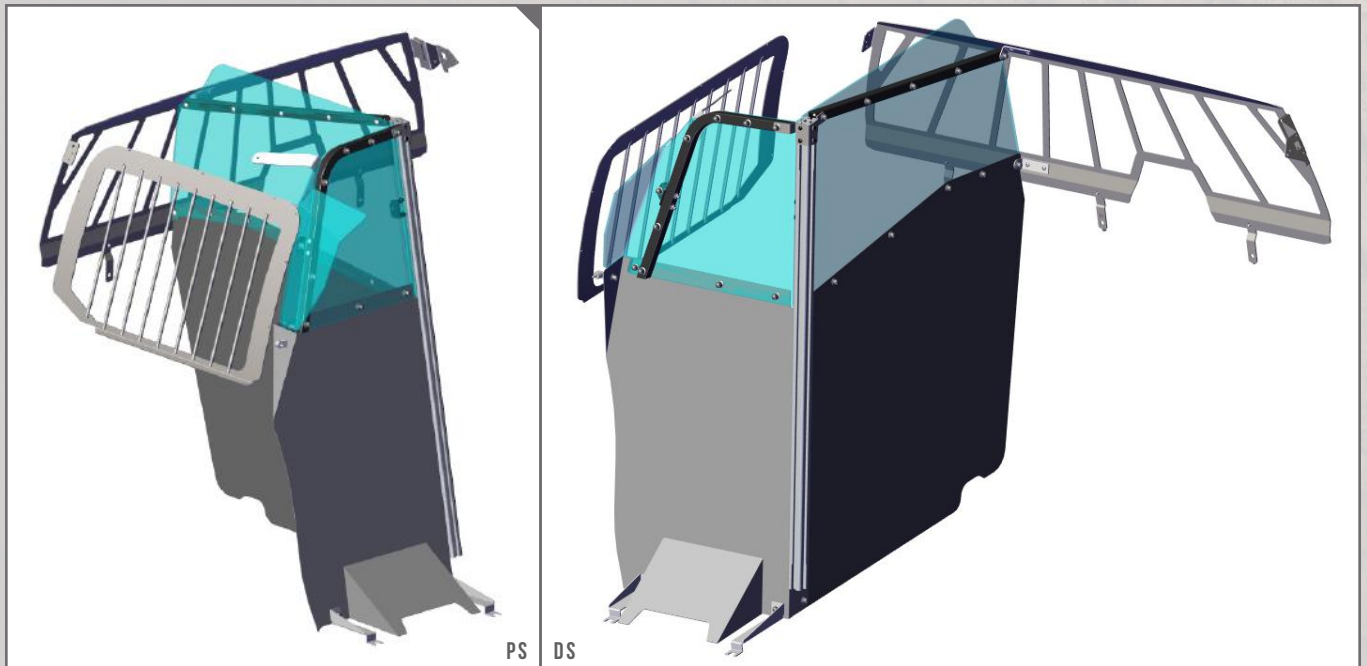
The Single Cell Lite the Front Divider, Center Divider, Rear Window Armor and Door Window Armor. Jotto Desk realized the extreme challenge facing agencies in regard to the rear seat area of pickups and has created a solution for prisoner containment in those vehicles. The bottom 2/3 of the front divider and center divider is powder coated steel with a built-in HSEP for added prisoner foot room. We didn't want to give prisoners a birds-eye view of the "good guy" side of the vehicle when you don't have to.



The upper 1/3 is polycarbonate and has been designed to allow for prisoner viewing/interaction but not diminish drivers view out the rear view mirror. In fact, the visibility for an officer is nothing short of amazing.

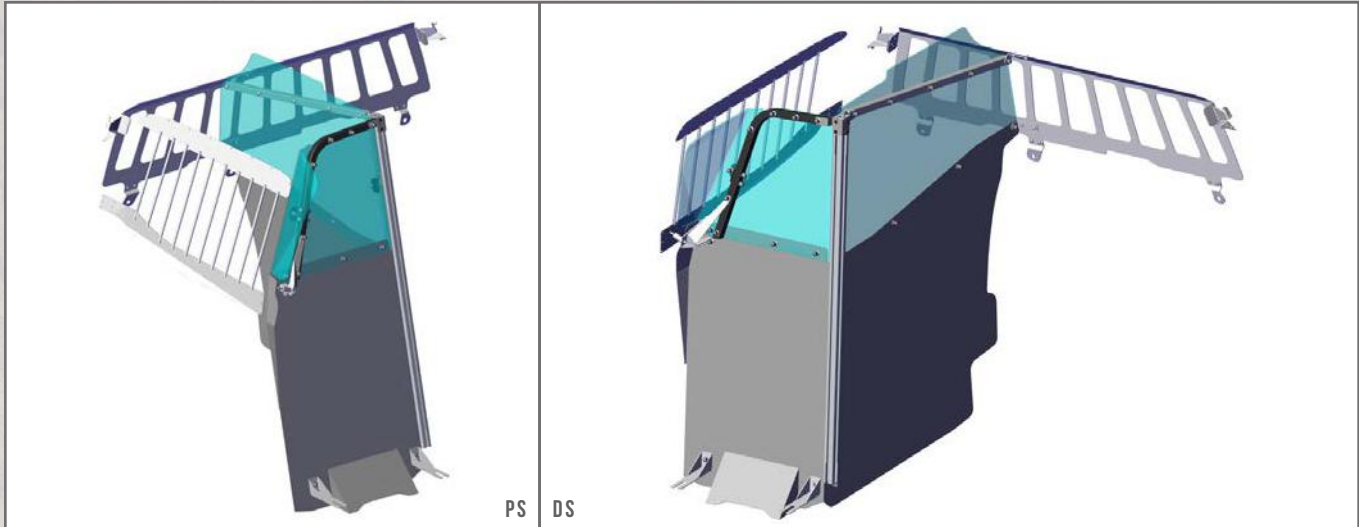


SINGLE CELL LITE F150 SSV (2021+)



475-1812

SINGLE CELL LITE SILVERADO SSV (2019+)



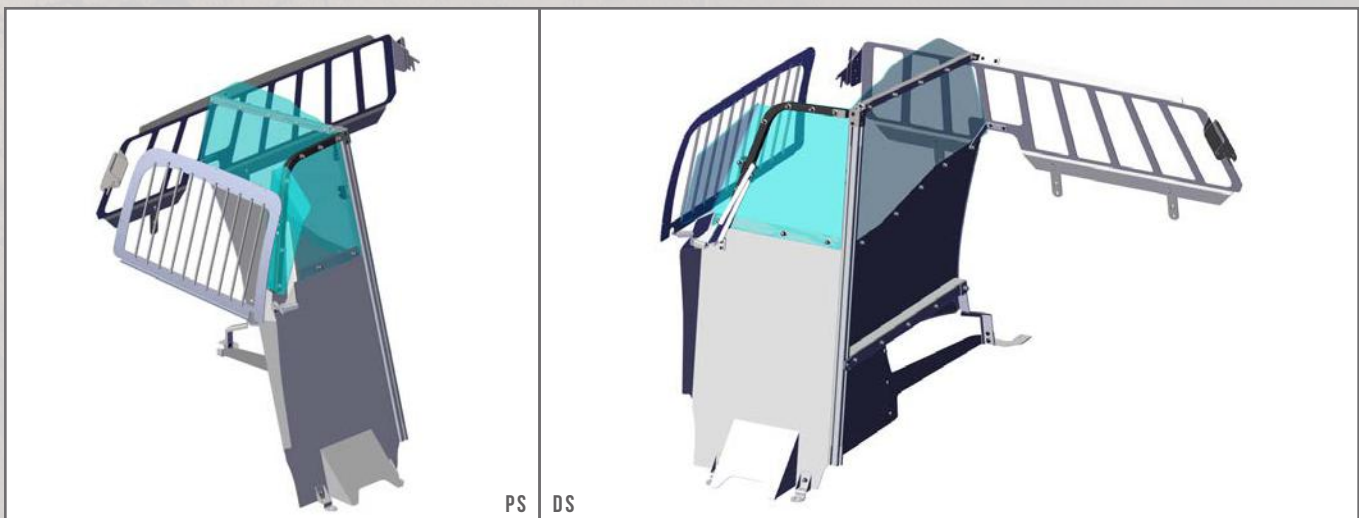
475-1380

SINGLE CELL LITE DURANGO SSV (2021+)



475-1765

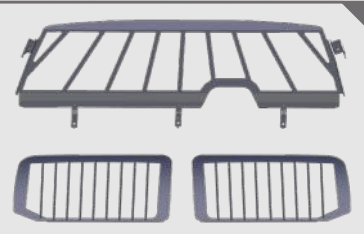
SINGLE CELL LITE RAM SSV (2014 - 2019)



475-1267

DOOR & REAR WINDOW ARMOR PACKAGE

You can now protect your SSV while transporting prisoners with Jotto Desk's line of Window Armor. The Window Armor is easy to install, prevents windows from being kicked out, and limits reach in or out of the prisoner compartment.

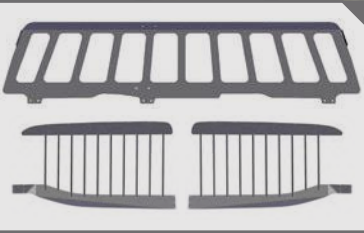
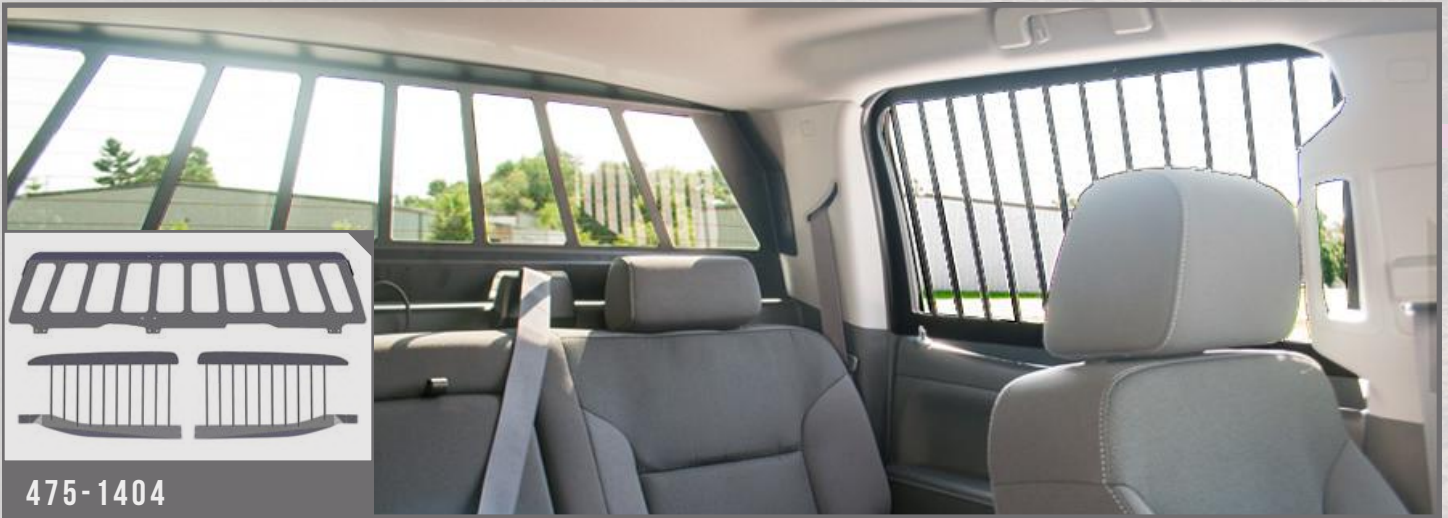


475-9181

DOOR & WINDOW ARMOR PACKAGE F-150 SSV (2016+)



DOOR & WINDOW ARMOR PACKAGE SILVERADO SSV (2019+)



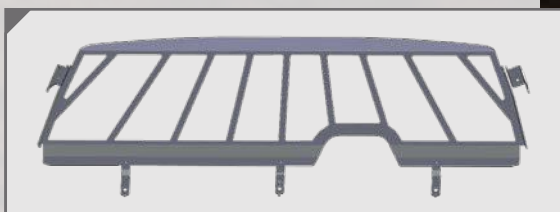
475-1404

DOOR & WINDOW ARMOR PACKAGE RAM SSV (2015-2019)

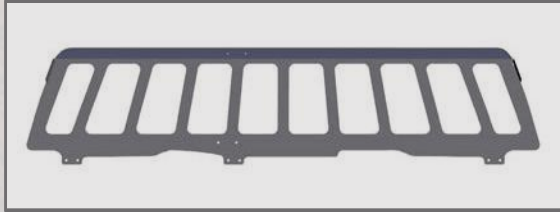


475-1170

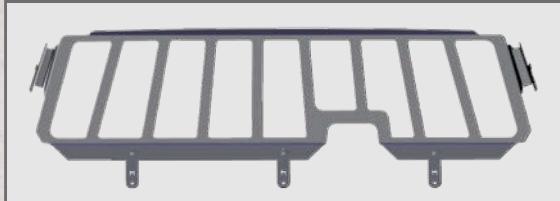
REAR WINDOW ARMOR



475-1168 - F-150 SSV (2016+)



475-1407 - SILVERADO SSV (2019+)

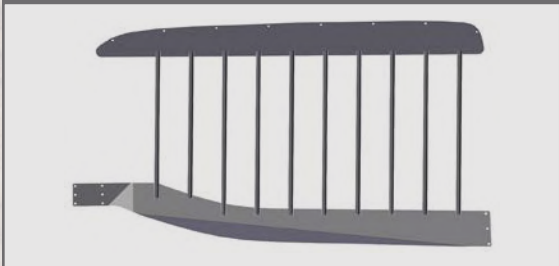


475-9196 - RAM SSV (2015+)

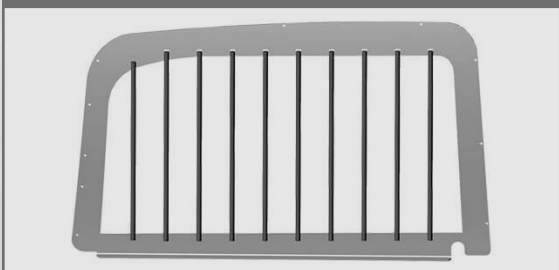
DOOR WINDOW ARMOR



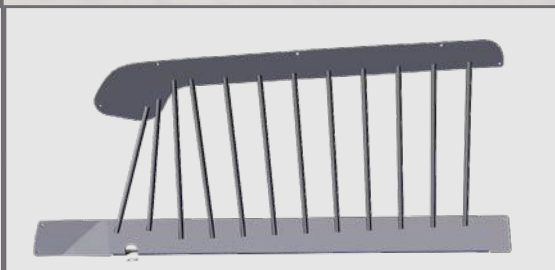
475-1167 - F-150 SSV (2016+)



475-1372 - SILVERADO SSV (2019+)



475-9197 - RAM SSV (2015+)



475-1417 - DURANGO SSV (2019+)

TSP
TOTAL SOLUTIONS PROVIDER

TSP

TOTAL SOLUTIONS PROVIDER



209 W. EASY ST., ROGERS, AR 72756 • www.EVERYTHINGBUTLIGHTS.com • 4/20

Jotto Desk® is a patented product and Registered Trademark of Assembled Products™ Corporation.
Specifications subject to change without notice.